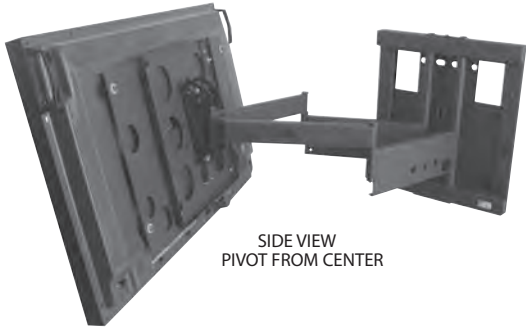


PDS DUAL SWING-OUT-ARM WALL MOUNT

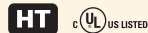
the focus:

The PDS is your answer for the best-looking and most functional plasma display installations. Use the PDS to recess the display inside cabinetry, float it in a corner, or provide viewing from all possible angles. With the PDS, you don't need to worry about the display sagging over time. A sturdy steel construction and UL listing ensure long-lasting support — even for 60"+ displays.



FEATURES

- Industries best selling swing-out-arm mount for 40" and larger displays
- UL listed for proven strength
- Preferred solution for recessed installations
- Pitch adjustment 5 degrees up, 15 degrees down on gravity-centered axis point
- 4 degrees of roll adjustment to refine final installation adjustments
- Display extends over 33" from the wall
- Horizontal traverse 25" right or left of center
- Pivot 90 degrees left or right of center
- Latches in the home position
- Cable management system
- Exclusive **Q-Latch[®] Mounting System** secures the Large Flat Panel Display with a lockable latch
- Display installs in portrait/landscape views



SPECIFICATIONS

- Depth from Wall: 2 5/8" plus included interface bracket. Check website for model specific dimensions.
- Extension from Wall: 33 5/8"
- Wall Plate Dimensions: W x H
18.06" x 19.44" / 458.7mm x 493.8mm
- Three wall plate mounting positions (2" right/left of center)
- Mounts to 16" on-center wood studs
- Two electrical box openings
- Interface brackets are compatible with all other 2000 Series products
- Color: Black
- Weight Capacity: 150 lbs.

Q-Latch[®] Mounting System

Lift and set display on mount. Mounting buttons on the display bracket easily fit into teardrop slots on the mount. Four mounting buttons form a universal 14" square pattern allowing displays to be installed in portrait or landscape mode, and easily interchanged among most Chief mounts. Included latching flag for a safe, positive connection.



FAQ

- Q. Why choose the PDS Mount?**
A. The PDS provides the greatest amount of extension from the wall, integrated security and extremely smooth operation. Chief's gravity-centered axis point pitch also allows you to easily pitch your display by hand and it will remain in place without the need to secure hardware or turn knobs. The PDS is simply the best mount money can buy.
- Q. How do I know if my display is too small to use with the PDS?**
A. If the width of the display is greater than 36" and taller than 21", the PDS will be completely hidden behind the display. If your display is smaller, you can use the PWS Mount instead.
- Q. Do I need to order a separate interface bracket?**
A. No, the PDS Mount ships as a complete assembly that includes the interface bracket. Determine which part number will accommodate your display by looking up the manufacturer and model number in the cross-reference chart.
- Q. Does the PDS pull straight out from the wall?**
A. Yes.
- Q. How is cable management accomplished?**
A. Cables can be secured in the tray on the swing-out arms with cable ties.

ORDERING STEPS

1. Determine the PDS model number you need by cross-referencing the manufacturer and model number of your Large Flat Panel Display. For the most recent cross-reference chart, visit www.chiefmfg.com or call Customer Service at 1.800.582.6480 (domestic) / 952.894.6280 (international).
2. Decide which accessories you need. For a full line of accessories see pages 17–24.

RECOMMENDED ACCESSORIES

- PAC-140 Q-Clamp for added security Page 23
- PAC-150 Video Conferencing Shelf — Allows a videoconferencing unit to be securely mounted directly above the display. Shelf dimensions: 12" W x 7" D. Height adjustable 5 1/4". Attaches to mounting plate. Page 24
- PAC-251 CPU/DVD/VCR Universal Adapter* Page 24
- PAC-300 Side Speaker Adapter* Page 24
- PAC-400 90 Degree Rotation Adapter* Page 22

Note: PDS Series cannot be used with PAC-125, PAC-126 or ENS Lateral Shift accessories.

*Confirm that the total weight will not exceed the mount's rated capacity.

FOR MORE ACCESSORIES SEE PAGES 17–24.

TECHNICAL INFORMATION

For additional technical information, visit www.chiefmfg.com.

